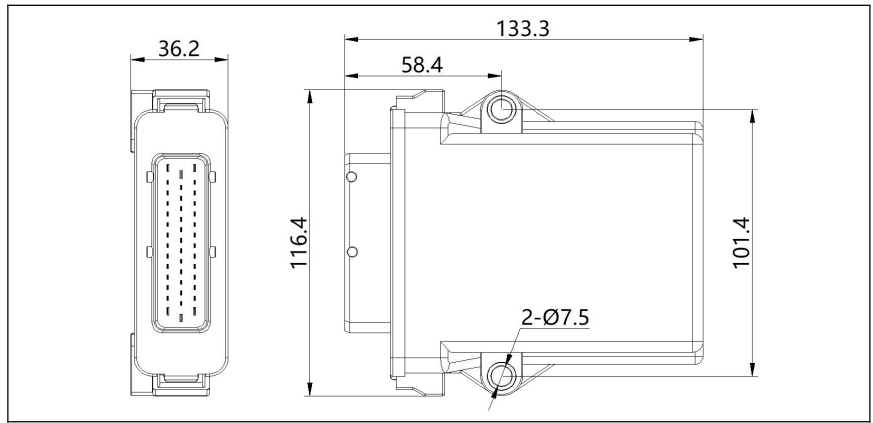


SPC-SFMC-X2214A

Motion Controller
 2 CAN interfaces
 Supported Protocols
 CANopen/SAEJ1939/free protocol
 Programming Environment
 CoDeSys 3.5
 Operating Voltage: 8...32 V DC



Technical parameters

| |
|------------------------------------|
| Housing |
| Size(Length x width x height) |
| Installation |
| Connector |
| Weight |
| Operating Temperature |
| Protection Class |
| Input/output channels total |
| Inputs |

Description

| |
|-----------------------------|
| Plastic housing |
| 133.3×116.4×36.2 mm |
| 2*M5×20mm screws |
| 42-Pin AMP |
| 0.25 kg |
| -40 ...85 °C |
| IP67 |
| 29 (22 inputs/ 14 outputs) |
| Max. 22 inputs |

Possible Configuration:

*All input ports are protected against reverse power and ground connection.

| Number | Signal | Version | |
|---------------|-----------------------------------|---|---|
| 4 or or | Resistance Analogue Digital | 16Ω...10kΩ 0...5V/0...32V High/Low voltage level configurable | AI ^R AI ^U DI ^{H/L} |
| 2 or | Analogue Digital | 0...5V/4...20mA High/Low voltage level configurable | AI ^U /AI ^I DI ^{H/L} |
| 6 or | Analogue Digital | 0...32V High/Low voltage level configurable | AI ^U DI ^{H/L} |
| 2 or | Analogue Digital | 0...15V High/Low voltage level configurable | AI ^U DI ^{H/L} |
| 2 | Digital | High/Low voltage level configurable | DI ^{H/L} |
| 4 or | Frequency Digital | ≤ 30 kHz High/Low voltage level configurable | PI DI ^{H/L} |
| 2 or | Frequency Digital | ≤ 30 kHz High/Low voltage level configurable | PI ^(AB) DI ^{H/L} |

Outputs

Possible Configuration:

*All digital output ports come with short-circuit feedback, short-circuit, and overheat protection.

Max. 14 outputs

| Number | Signal | Version | |
|--------------|----------------------------|---|---|
| 5 or | Digital PWMi_H | High side output PWM High side output with current feedback | DO ^H PWMi ^H |
| 2 or 1 | Digital PWM H bridge | High side output/Low side output PWM High side output/Low side output Forming an H bridge | DO ^{H/L} PWM ^{H/L} H ^{Bri} |
| 2 | Digital | High side output | DO ^H |
| 5 or | Digital PWM_H | High side output PWM High side output | DO ^H PWM ^H |

| |
|-----------------------|
| Operating voltage UEE |
| Power consumption |
| Processor |

| |
|-----------------------------------|
| 8...32 V DC |
| ≤ 80mA (No external load at 24 V) |
| 32-bit advanced MCU |